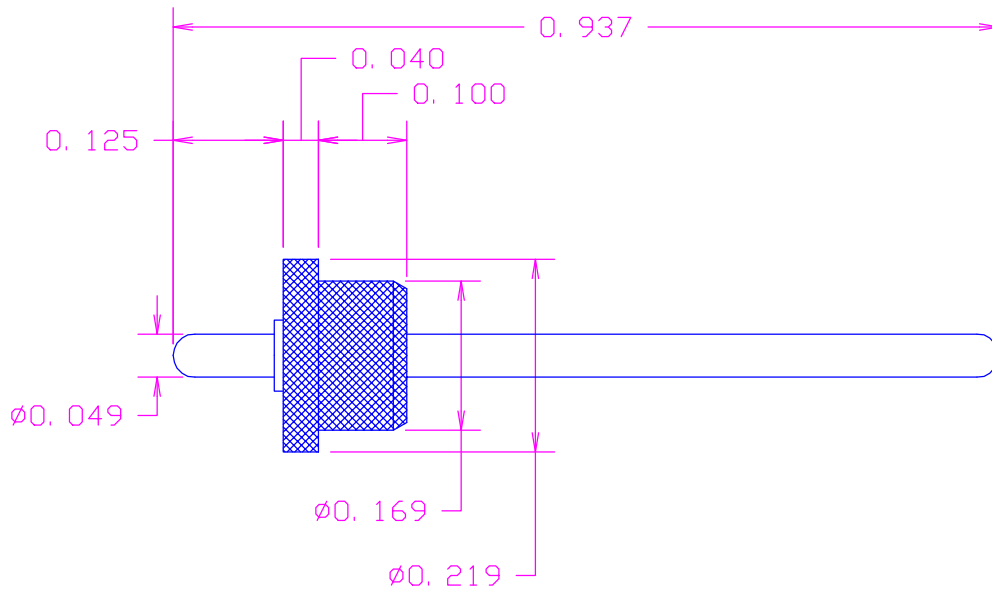
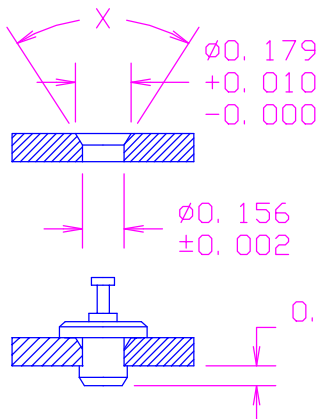


DATE	SYM	REVISION RECORD	AUTH.	DR.	CK.
10/12/00	-	ISSUED		NT	DG



RECOMMENDED HOLE SIZE
FOR PRESS FIT INSERTION



FOR BOARD THICKNESS GREATER THAN .040, X=60°
FOR BOARD THICKNESS LESS THAN .040, X=80°

MATERIAL: PIN- BRASS PER ASTM B16,
ALLOY C 36000, 1/2 HARD

BUSHING- PTFE PER ASTM D1710

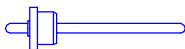
COLOR(XX)-SEE COLOR CODE

FINISH: PIN- .0003"MIN. ELECTRO-SOLDER

PER MIL-P-81728, OVER .0001"MIN. COPPER

(XX)COLOR CODE:
10-BLACK
11-BROWN
12-RED
13-ORANGE
14-YELLOW
15-GREEN
16-BLUE
17-VIOLET
18-GRAY
19-WHITE(NATURAL)

ACTUAL SIZE



TOLERANCES (EXCEPT AS NOTED)	CONCORD		ELECTRONICS CORPORATION	
DECIMAL $\pm .005$	P/N	SCALE	30 GREAT JONES ST. NEW YORK N. Y. 10012	
FRACTIONAL $\pm 1/64$	TITLE PTFE INSULATED TERMINAL			
ANGULAR $\pm 5^\circ$	DATE 10/11/00	DRAWING NUMBER 1110-41-05XX		